

★ITEM NO: BPTG709

★DESCRIPTION: FUSE HOLDER  
FOR: MEDIUM AUTO FUSE

★APPROVALS:

•CE NO: GLEMO040700865IT

•SGS NO:

★SPECIFICATIONS:

◆Material:

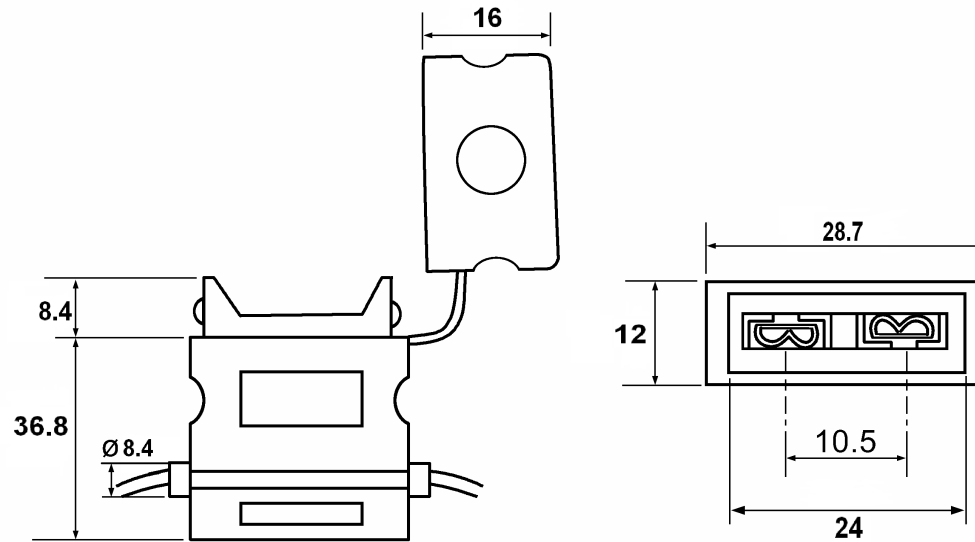
•PVC

•Nickel-plating

◆Max. rated value: 40A 32V

◆Limited temperature: 105°C

◆Wire : 14AWG ,30cm circle wire .



ITEM NO.	DESCRIPTION	DOC.NO.	VERSION	DRAW	CHECK	APPROVE	DATE
BPTG709	MEDULM FUSE HOLDER	A-005					